
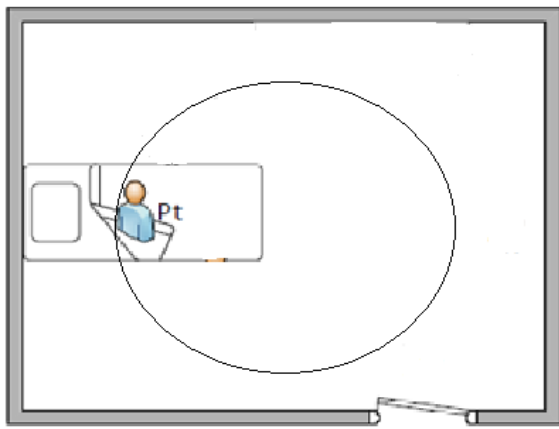


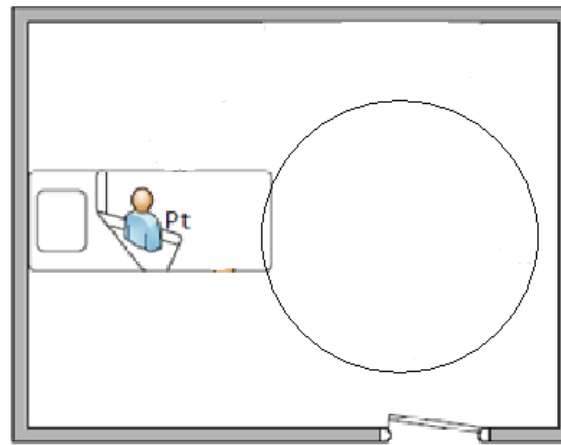
**Observer:** YL; **Service:** Hosp | AICU | Cardiologist; **Observation date #:** \_\_\_\_\_; **Round number:** \_\_\_\_\_;  
**#HCT members:** \_\_ Att.(A), \_\_ Fel.(F), Residents: \_\_ Int.(I), \_\_ Yr2(PG2), \_\_ Yr3(PG3), \_\_ Nurse(RN), \_\_ MedStu(MS), \_\_ NP/PA, \_\_ Pharmacist(RPh),  
 other: \_\_\_\_\_; **#Family members:** \_\_\_\_\_; **Pt participation:** Yes | No; **Location:** pt room | hallway | other \_\_\_\_\_  
 [Technology: T1=computer; T2=paper chart; T3=PDA (tablet); L=laptop] **Begin:** \_\_\_\_\_; **End:** \_\_\_\_\_

| Activities  |  Time |  |  |  |  |  |  |  |  |  |  |  |
|---|---|--|--|--|--|--|--|--|--|--|--|--|
| 0. Review info and enter notes/orders in EHR      |   |  |  |  |  |  |  |  |  |  |  |  |
| 1. Introduce team members and roles               |   |  |  |  |  |  |  |  |  |  |  |  |
| 2. Present/update on patient situation            |   |  |  |  |  |  |  |  |  |  |  |  |
| 3. Discuss assessment                             |   |  |  |  |  |  |  |  |  |  |  |  |
| 4. Summarize plan for the day/stay                |   |  |  |  |  |  |  |  |  |  |  |  |
| 5. Review and update goals for discharge          |   |  |  |  |  |  |  |  |  |  |  |  |
| 6. Ask family for questions                       |   |  |  |  |  |  |  |  |  |  |  |  |
| 7. Ask team for questions                         |   |  |  |  |  |  |  |  |  |  |  |  |
| Interruptions<br>(source, reason and consequence) |   |  |  |  |  |  |  |  |  |  |  |  |

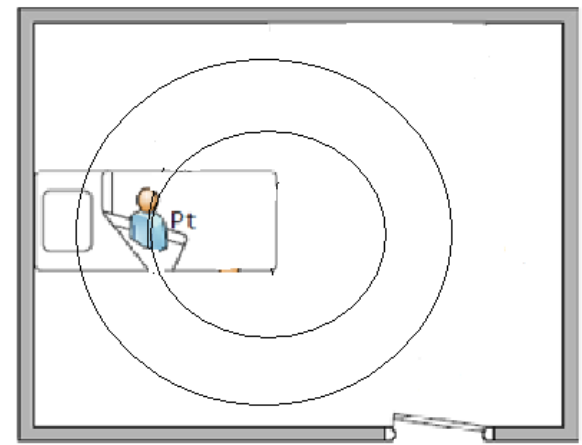
Notes:



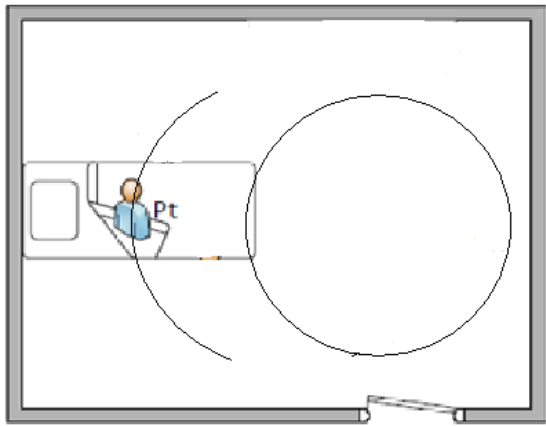
One circle-patient in circle



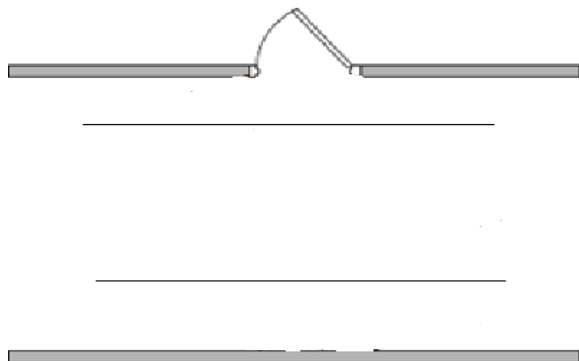
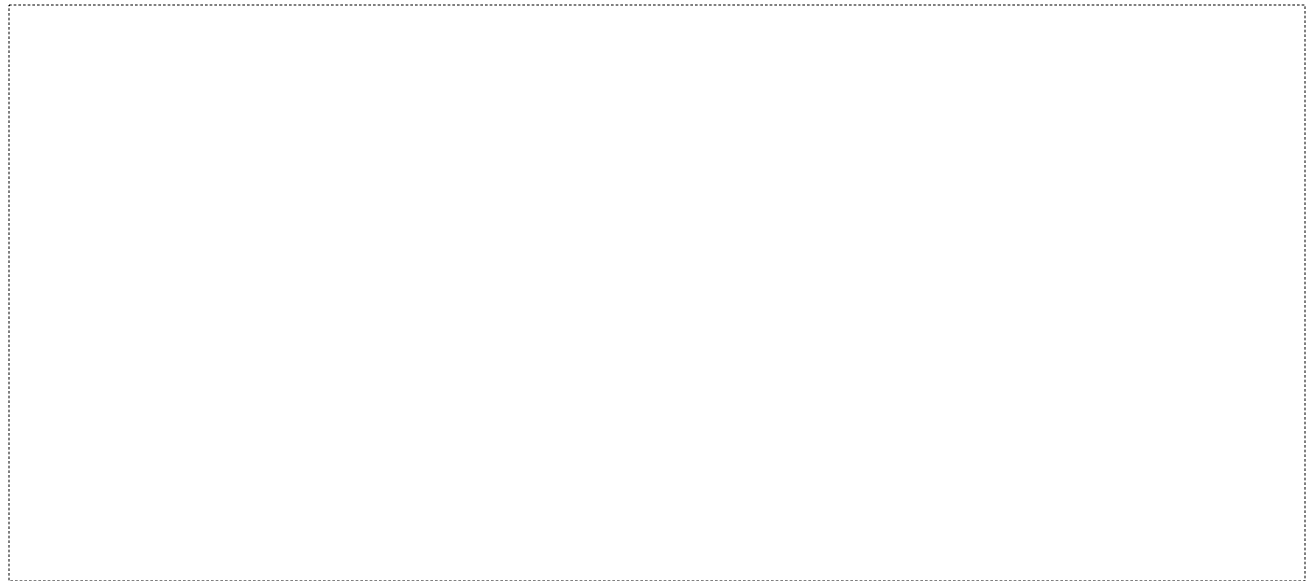
One circle-patient outside of circle



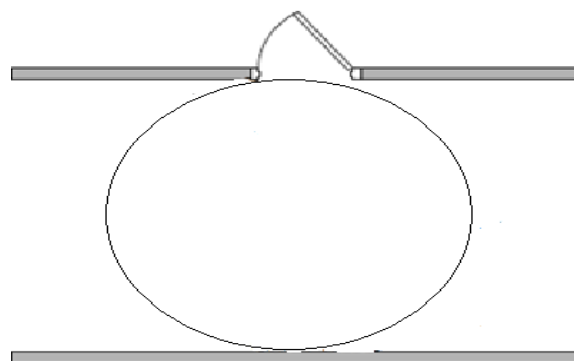
Double circle-patient in circle



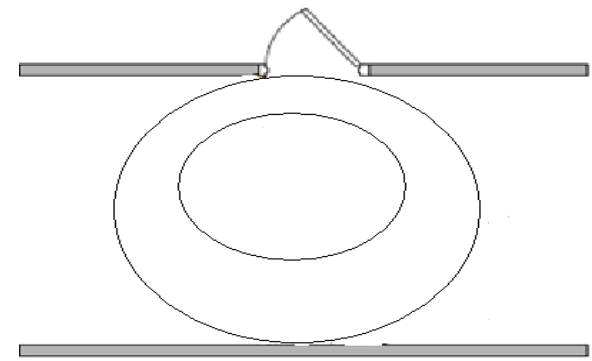
Double circle-patient outside of circle



Parallel



One circle



Double circle